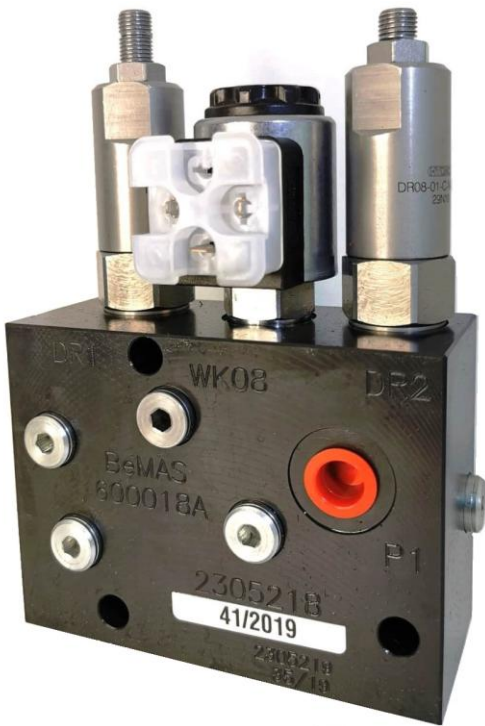


Quick coupler valve 18001A



TECHNICAL DATA

OPERATING PRESSURE MAX.	350bar
FLOW MAX.	15 l/min
HYDRAULIC CONNECTIONS	G1/4
WEIGHT	3,5kg
MATERIAL	Steel
SURFACE TREATMENT / CORROSION PROTECTION	Black nitration (Blacknite)

Product codes:

18001A - 0 0 1 0

Closing pressure range

- 0 = 20-207bar
- 1 = 6-345bar

Opening pressure range

- 0 = 20-207bar
- 1 = 6-345bar

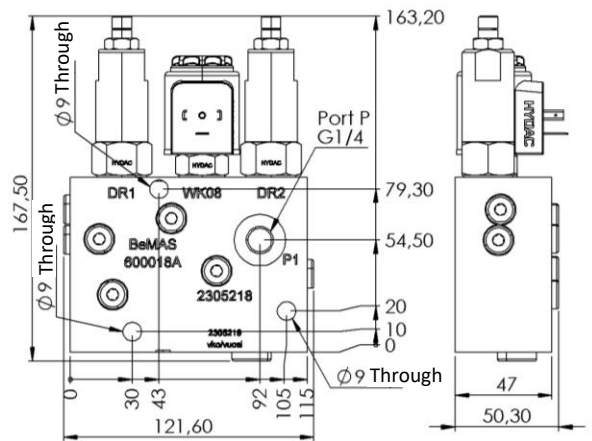
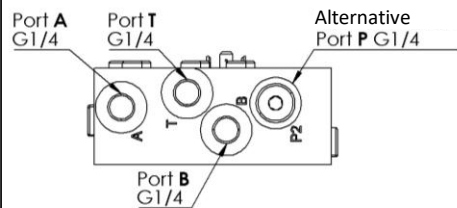
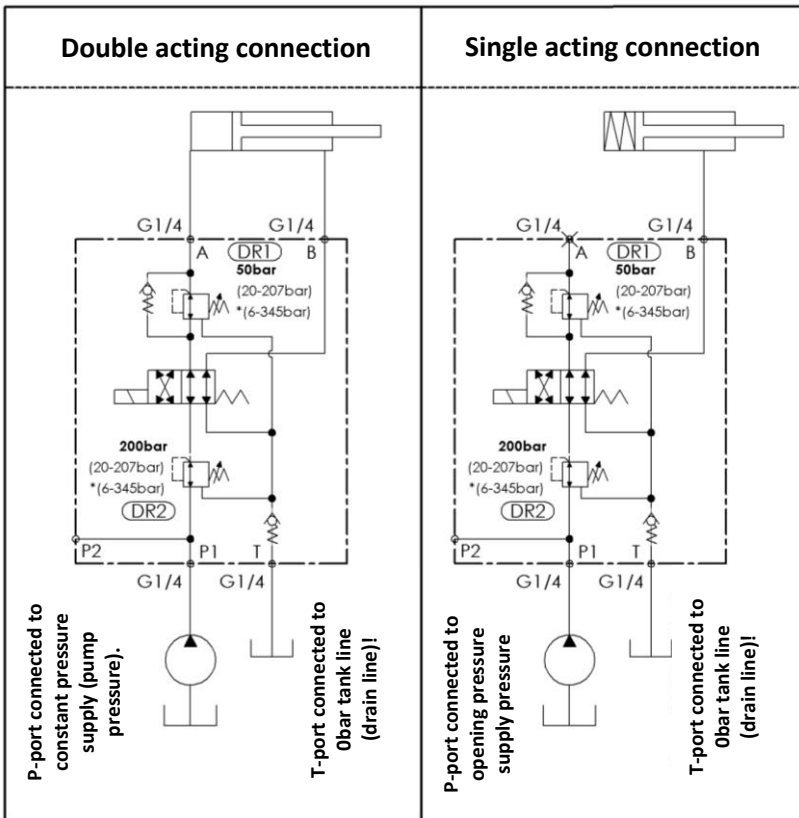
Measurement point for closing pressure

- 0 = No
- 1 = Yes

Coil

- 1 = 12VDC DIN (Hirschmann)
- 2 = 24VDC DIN (Hirschmann)
- 3 = 12VDC Deutsch
- 4 = 24VDC Deutsch

Valve for controlling excavator quick coupler. Includes solenoid 4/2 directional valve and separate pressure reducers for opening and closing (locking) pressure.



Notice safety regulations! Many coupler types require constant locking pressure. Technician is responsible for valve's suitability for the installation and to meet the requirements.